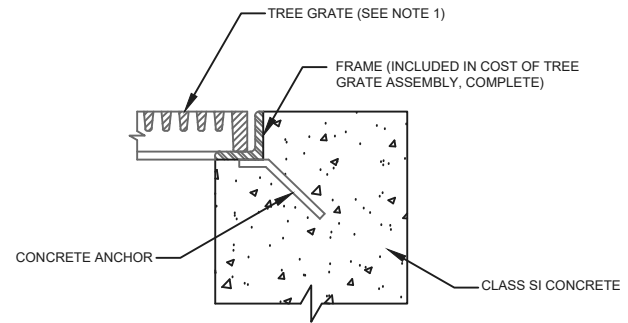
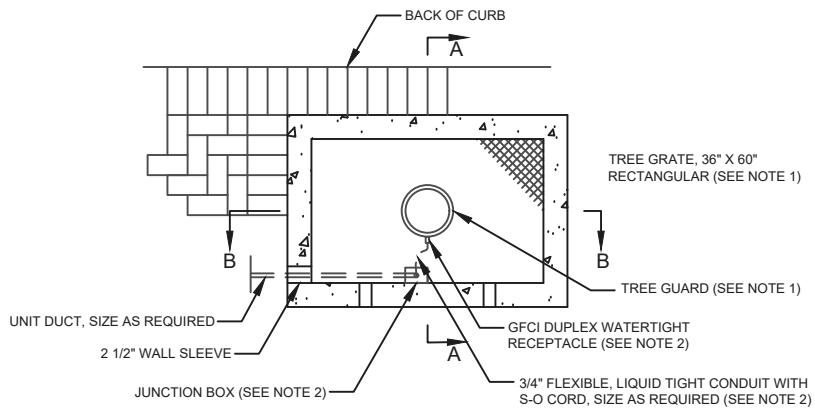


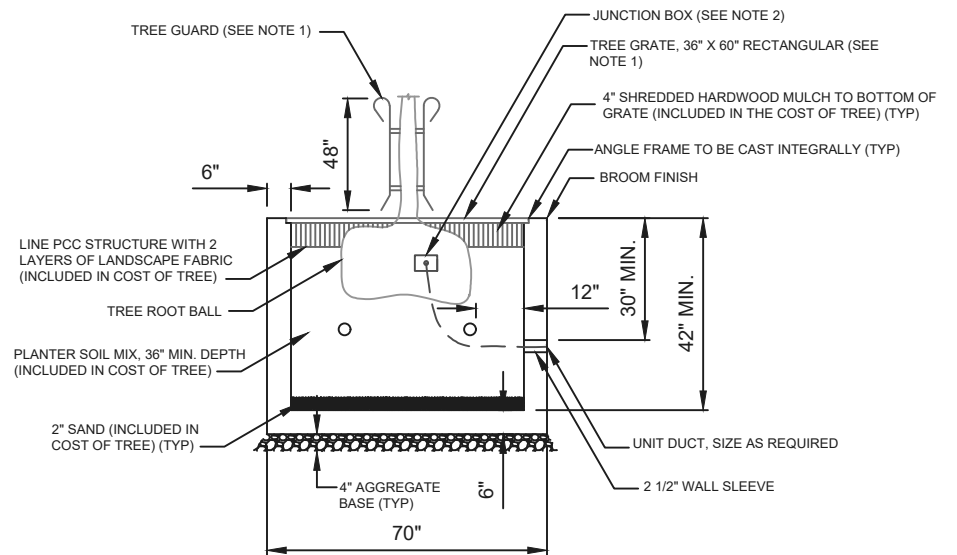
SECTION A-A
NOT TO SCALE



TREE WELL/FRAME DETAIL
NOT TO SCALE



TREE GRATE ASSEMBLY, COMPLETE, DUPLEX WEATHERPROOF GFI RECEPTACLE AND COVER PLATE, TREE WELL
NOT TO SCALE



SECTION B-B
NOT TO SCALE

STANDARD LAN-001



CITY OF WEST CHICAGO
475 MAIN STREET
WEST CHICAGO, IL 60185
PHONE: 630-293-2255
FAX: 630-293-2971

TREE GRATE ASSEMBLY, COMPLETE, DUPLEX WEATHERPROOF GFI RECEPTACLE AND COVER PLATE, TREE WELL

CITY OF WEST CHICAGO
CONSTRUCTION SPECIFICATIONS,
STANDARDS, AND DETAILS

REVISIONS

NO.	DESCRIPTION