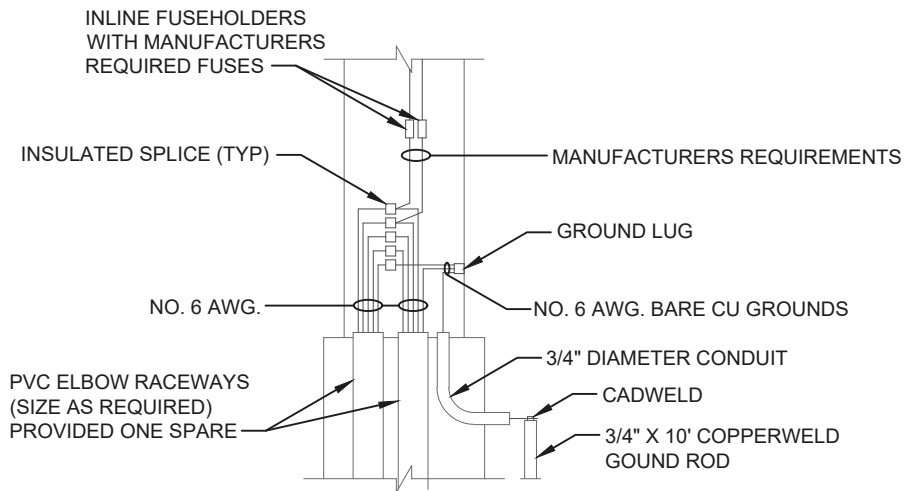
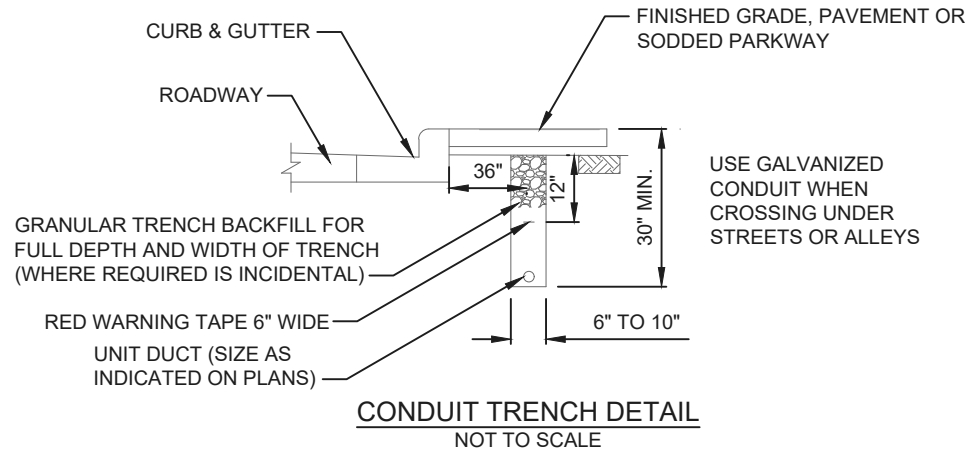


**SPLICING ELECTRIC CABLES  
BASIC MATERIALS AND METHODS**  
NOT TO SCALE



**STREET LIGHT POLE BASE WIRING DIAGRAM**  
NOT TO SCALE

**NOTE:**

ALL CONDUCTORS IN THE UNIT DUCT RUNS SHALL HAVE INDIVIDUALLY COLOR-CODED INSULATION THROUGHOUT THE ENTIRE LENGTH OF THE CONDUCTOR. THE COLOR IDENTIFICATION FOR THE SYSTEM GROUND SHALL BE GREEN. THE PHASE CONDUCTORS SHALL BE IN ACCORDANCE WITH THE STANDARD IDOT PRACTICES FOR WIRING MULTICONDUCTOR CIRCUITS IN SINGLE UNIT DUCT RUNS.



NO.	DESCRIPTION