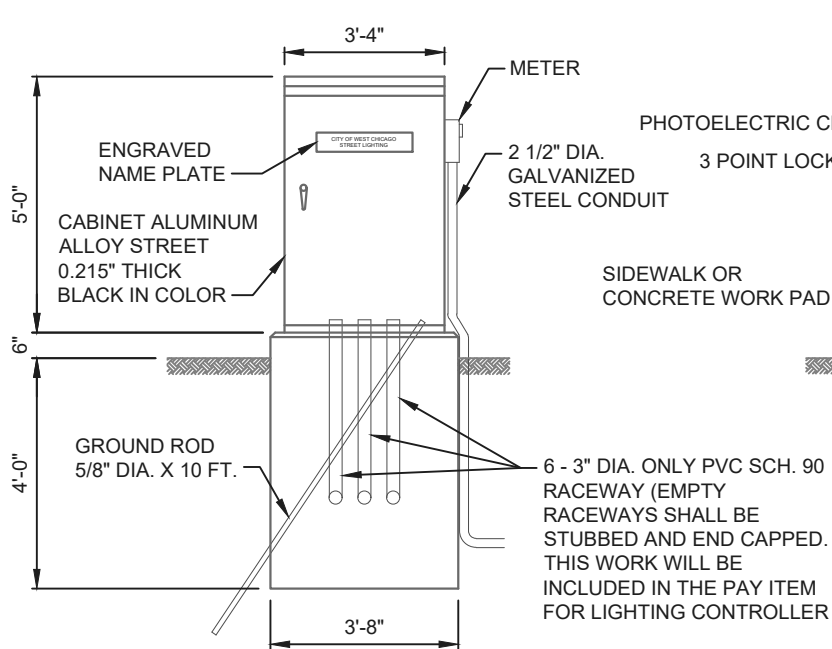
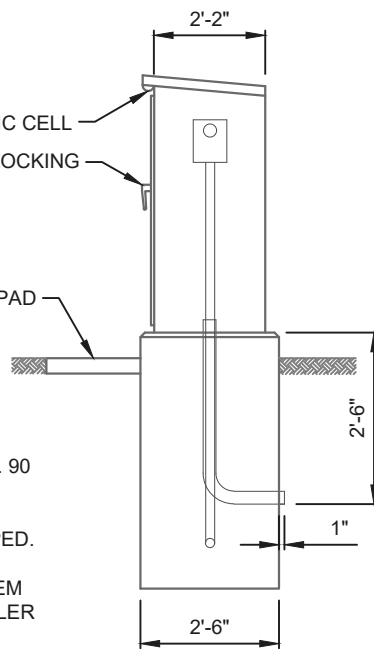


TOP VIEW

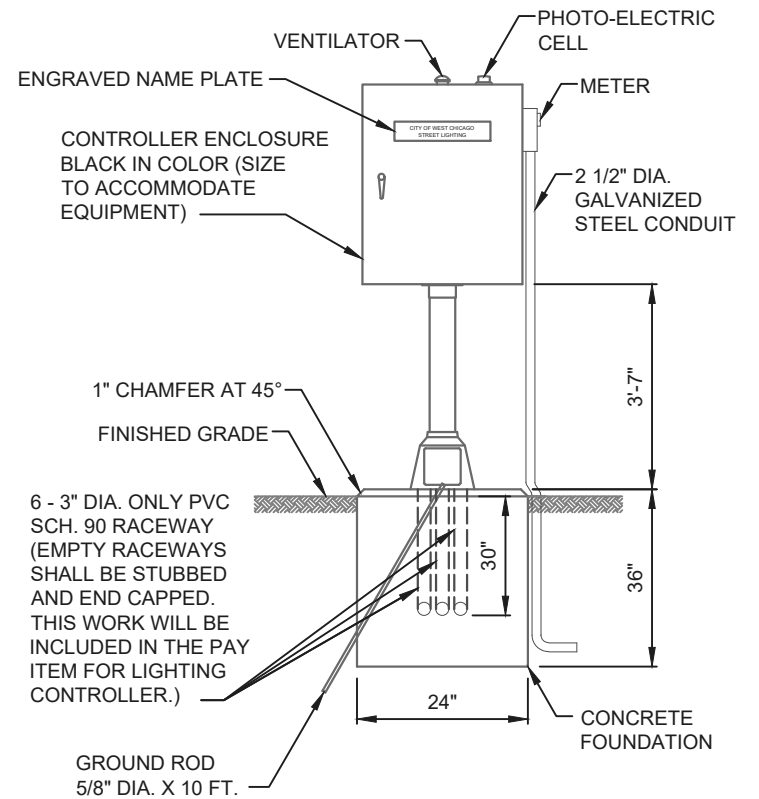


FRONT VIEW



SIDE VIEW

PAD MOUNTED
MINIMUM DIMENSIONS
(PREFERRED IN INDUSTRIAL)



PEDESTAL MOUNTED
(PREFERRED IN RESIDENTIAL)



CITY OF WEST CHICAGO
475 MAIN STREET
WEST CHICAGO, IL 60185
PHONE: 630-293-2255
FAX: 630-293-2971

LIGHTING CONTROLLER CABINET

CITY OF WEST CHICAGO
CONSTRUCTION SPECIFICATIONS,
STANDARDS, AND DETAILS

STANDARD LGT-006

REVISIONS

NO.	DESCRIPTION