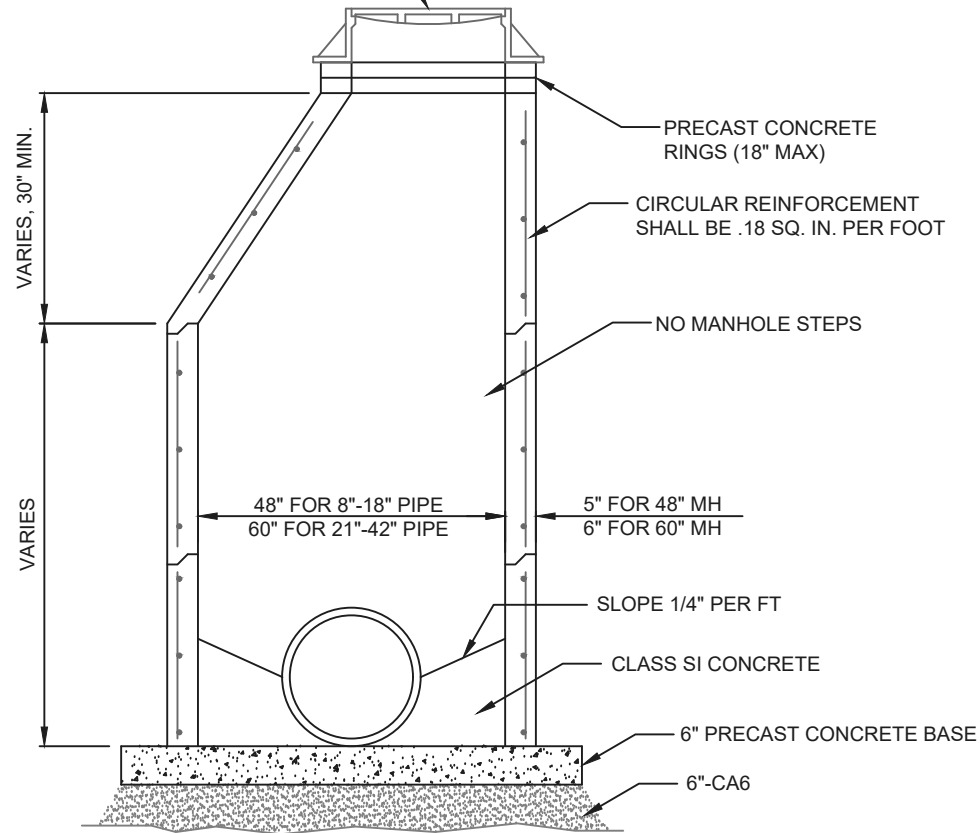


NEENAH R-1772 AND TYPE "B" LID
 FRAME AND GRATE, THE WORDS
 "STORM" AND "CITY OF WEST
 CHICAGO" SHALL BE CAST INTO LID



GENERAL NOTES:

PRE-CAST REINFORCED CONCRETE RISER RINGS AND DOMES SHALL COMPLY WITH ASTM C-39.

ALL JOINTS BETWEEN PRE-CAST ELEMENTS, ADJUSTING RINGS AND MANHOLE FRAMES SHALL BE SET IN PLACE WITH A BUTYL RUBBER JOINT SEALANT.

FOR RESTRICTED DEPTH MANHOLES OMIT PRE-CAST CONE SECTION AND PROVIDE 8" THICK REINFORCED CONCRETE FLAT TOP SLAB WITH 24" ECCENTRIC OPENING.

STANDARD STM-001



CITY OF WEST CHICAGO
 475 MAIN STREET
 WEST CHICAGO, IL 60185
 PHONE: 630-293-2255
 FAX: 630-293-2971

STORM SEWER MANHOLE

CITY OF WEST CHICAGO
 CONSTRUCTION SPECIFICATIONS,
 STANDARDS, AND DETAILS

REVISIONS

NO.	DESCRIPTION