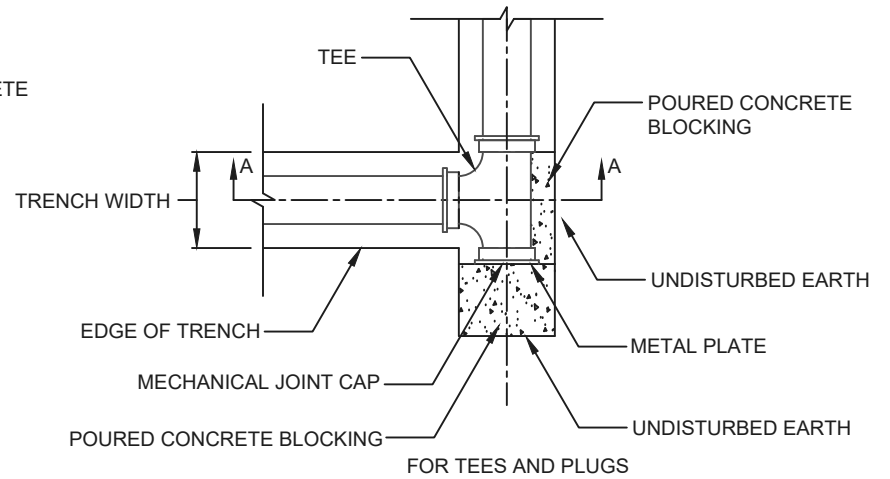
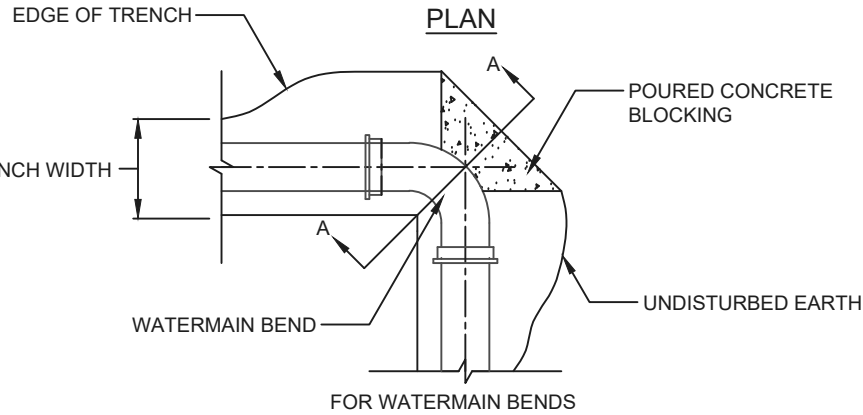


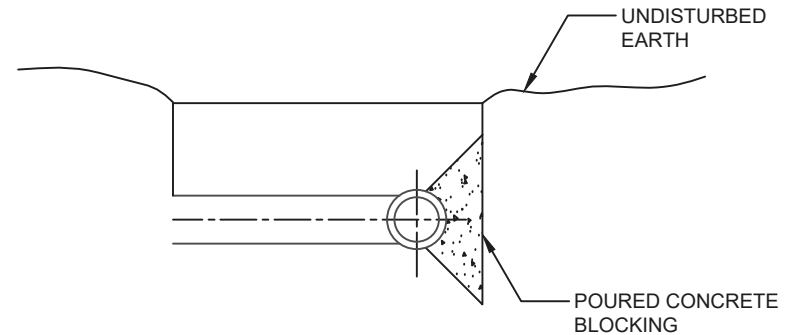
FOR CROSSES AND PLUGS



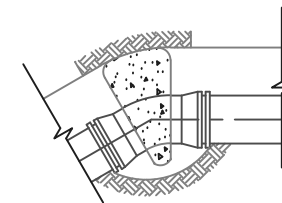
FOR TEES AND PLUGS



FOR WATERMAIN BENDS



SECTION A-A



VERTICAL BEND

GENERAL NOTES:

BLOCKING SHALL BE APPLIED FOR ALL TEES, PLUGS, CAPS, AND BENDS BEARING MINIMUM CAPACITY OF 2000 PSF

MINIMUM SQ. FT. AREA OF VERTICAL CROSS SECTION AGAINST 2000 PSF UNDISTURBED EARTH

	6"	8"	10"	12"
90° BEND	5.5	9.4	15.4	21.8
45° BEND	3.0	5.1	8.4	11.9
22.5° BEND	1.5	2.6	4.3	6.1
11.25° BEND	1.5	2.6	4.3	6.1
TEE	3.9	6.7	10.9	15.5

ALL AREAS OF UNDISTURBED EARTH SHALL HAVE A MINIMUM ALLOWABLE BEARING CAPACITY OF 2000 PSF. BEARING AREA OF THE SOIL IS BASED ON 65 PSI WATER MAIN PRESSURE

CONCRETE SHALL NOT BE ALLOWED TO BE POURED DIRECTLY AGAINST WATER MAIN PIPE OR FITTINGS. MAIN SHALL BE WRAPPED IN PLASTIC SHEETING, NO LESS THAN 4 MIL THICKNESS PRIOR TO POURING CONCRETE THRUST BLOCK

CONCRETE SHALL BE PLACED MINIMUM OF 12" BETWEEN UNDISTURBED GROUND AND FITTING SHALL BE ANCHORED SUCH THAT IT IS ACCESSIBLE FOR FUTURE REPAIRS

STANDARD WM-002



CITY OF WEST CHICAGO
475 MAIN STREET
WEST CHICAGO, IL 60185
PHONE: 630-293-2255
FAX: 630-293-2971

THRUST BLOCK INSTALLATION

CITY OF WEST CHICAGO
CONSTRUCTION SPECIFICATIONS,
STANDARDS, AND DETAILS

REVISIONS

NO.	DESCRIPTION